

AMERICAN REINFORCED PLASTICS



SPECIFICATIONS FOR SPECIAL ACCESS 48" BARRIER FREE SHOWER STALL

Model # S-4837-H (L or R) LEFT OR RIGHT HAND SEAT

COMPOSITION

American Reinforced Plastics bath products are manufactured using specially formulated sanitary polyester gel coat, backed with a heavy fiberglass reinforcing. Bottoms are supported with resin putty providing a stable bearing and pre-leveled installation. Walls are of sandwich panel construction with a polyurethane core, built to exceed the standards of A.N.S.I. Z 124-1, Z 124-2, and UPC-11-60. Laminated wood panels are used in floor, grab bar and seat reinforcement.

ARCHITECTURAL SPECIFICATIONS

The transfer bathing enclosure shall be an American Reinforced Plastics model S-4837-H. The unit shall be one-piece, heavy duty fiberglass reinforced polyester with gel-coated surface to provide sanitary, unbroken clean lines and a smooth surface. Special reinforcing, contouring and sandwich panel construction with a polyurethane core gives strength to exceed A.N.S.I. Z 124-1, Z 124-2 and UPC - 11 - 60 standards. The unit shall include a phenolic folding seat; and a 24" x 24" x 1-1/4" O.D. stainless steel wall-to-wall angle bar mounted to the valve wall and back wall with stainless steel nuts and bolts, and sealed with silicone. Wood reinforcement shall be integrated into wall panels to accept grab bars and seat installation. The threshold shall be designed to allow unencumbered access appropriate for wheelchair use, and shall comply with A.N.S.I. 117 for accessibility. Unit may be recessed into the sub-floor, if necessary, with final reveal not to exceed 1/2" outside height.

The shower units shall be self-supporting with nailing flanges on front and top edges of the walls. Units shall be warranted against factory defects for five years. The under portion of the bathing enclosures shall be coated with an integrated resin compound to provide stable bearing against the floor, allowing no give to the bottom

when installed. The shower unit shall be manufactured by American Reinforced Plastics, Inc., 8209 Pacific Highway East, Tacoma, Washington, 98422.

DESIGN FEATURES

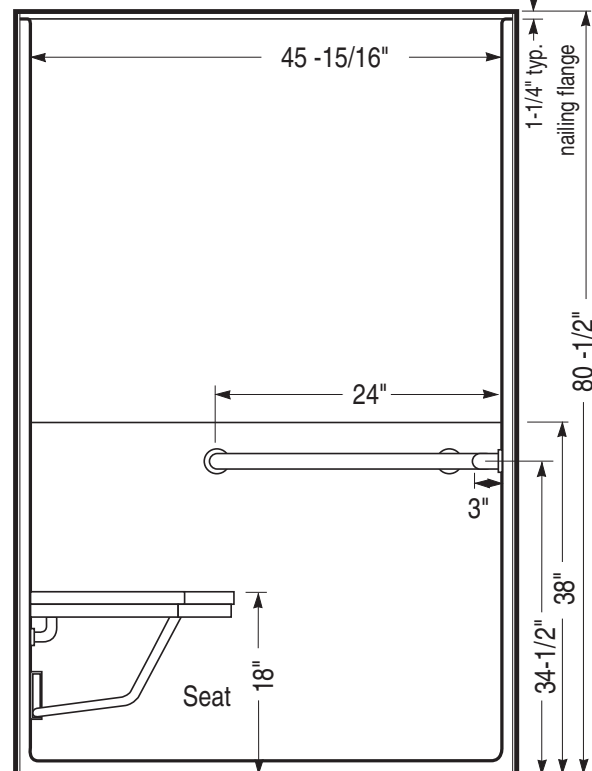
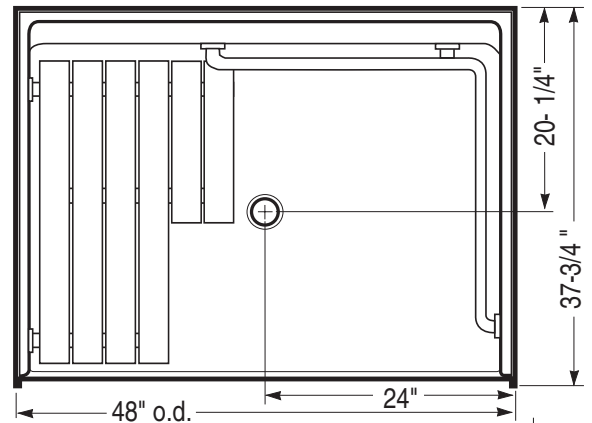
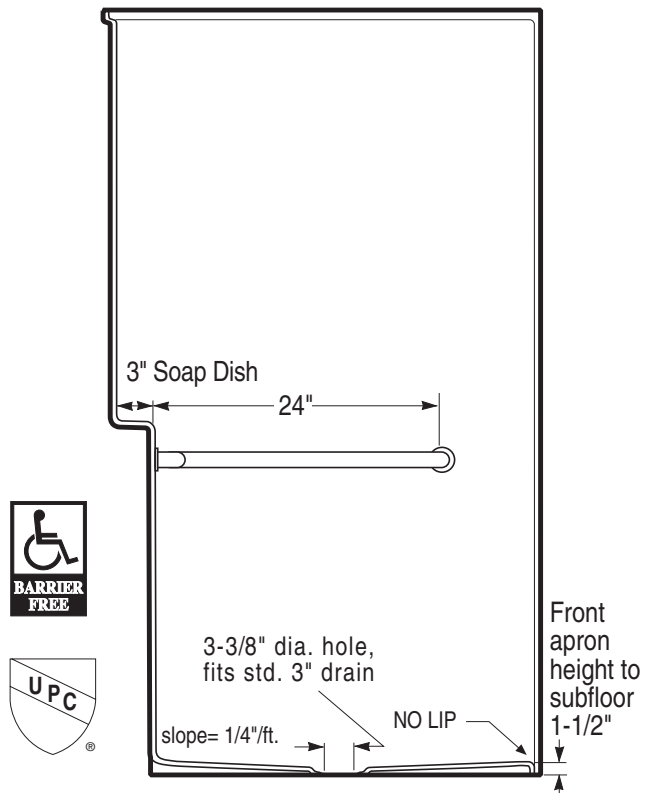
- S-4837-H includes 24" x 24" x 1-1/4" dia. stainless steel wall-to-wall grab bar, folding seat (specify left or right hand).
- Reliable one-piece construction. For commercial or residential use.
- Factory pre-leveling bottom support for durability & easy installation.
- Custom Hardware placement available.
- Wood reinforcement for extra strength at all hardware connections.
- Optional collapsible dam for additional water retention capability while maintaining wheelchair accessibility.

MAINTENANCE

Only easy to use liquid cleaners are required to maintain the bright, smooth surface in a like new condition. Avoid using abrasive cleansers.

WARRANTY

ARP units have a five year warranty against factory defects.



© 2005 AMERICAN REINFORCED PLASTICS

8209 PACIFIC HWY. EAST, TACOMA, WA 98422 • (253) 922-5808 • FAX (253) 922-2036 • WWW.ARPBATHTUBS.COM